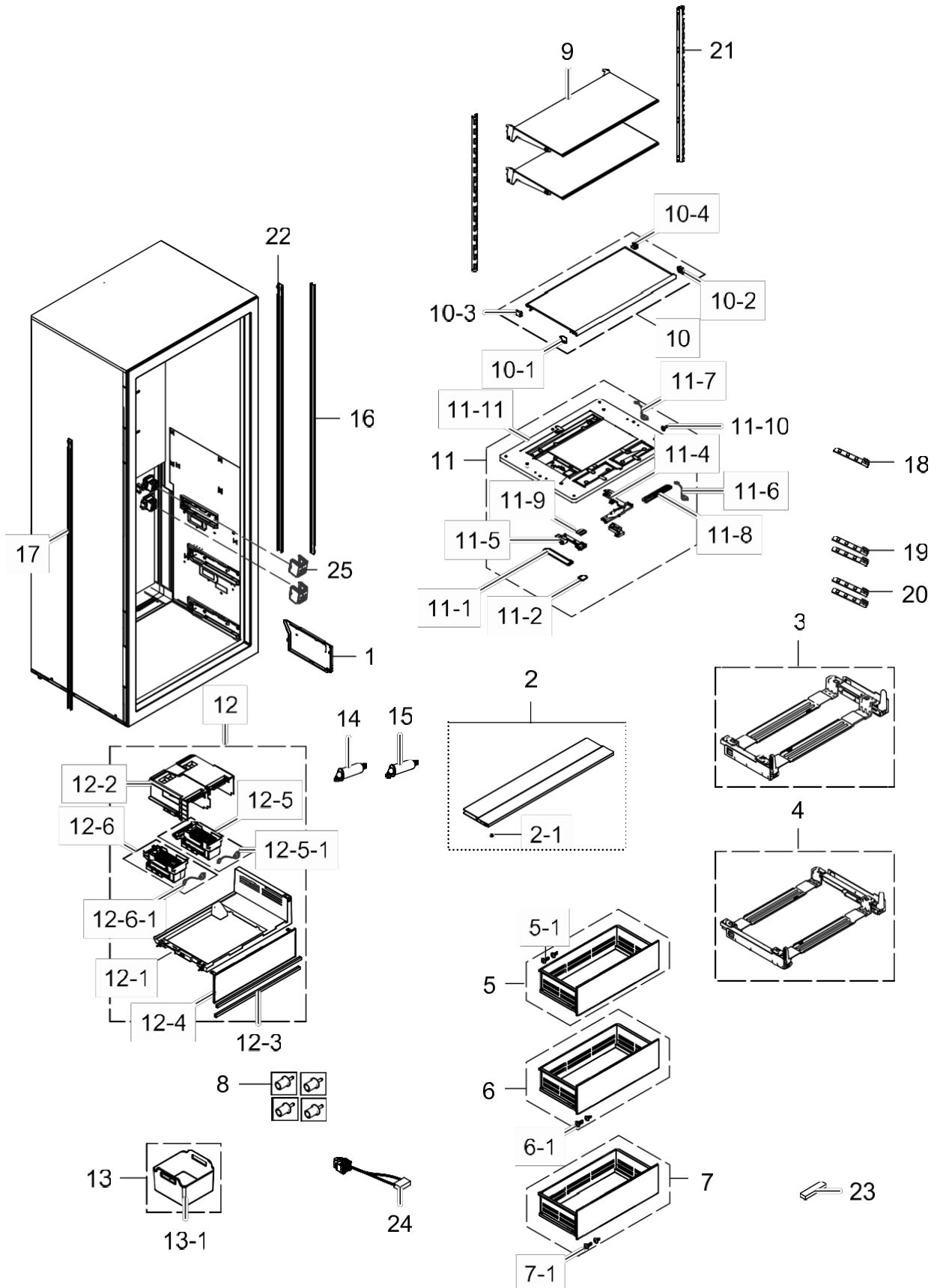


1. Freeze

Exploded View



Freezer Parts List

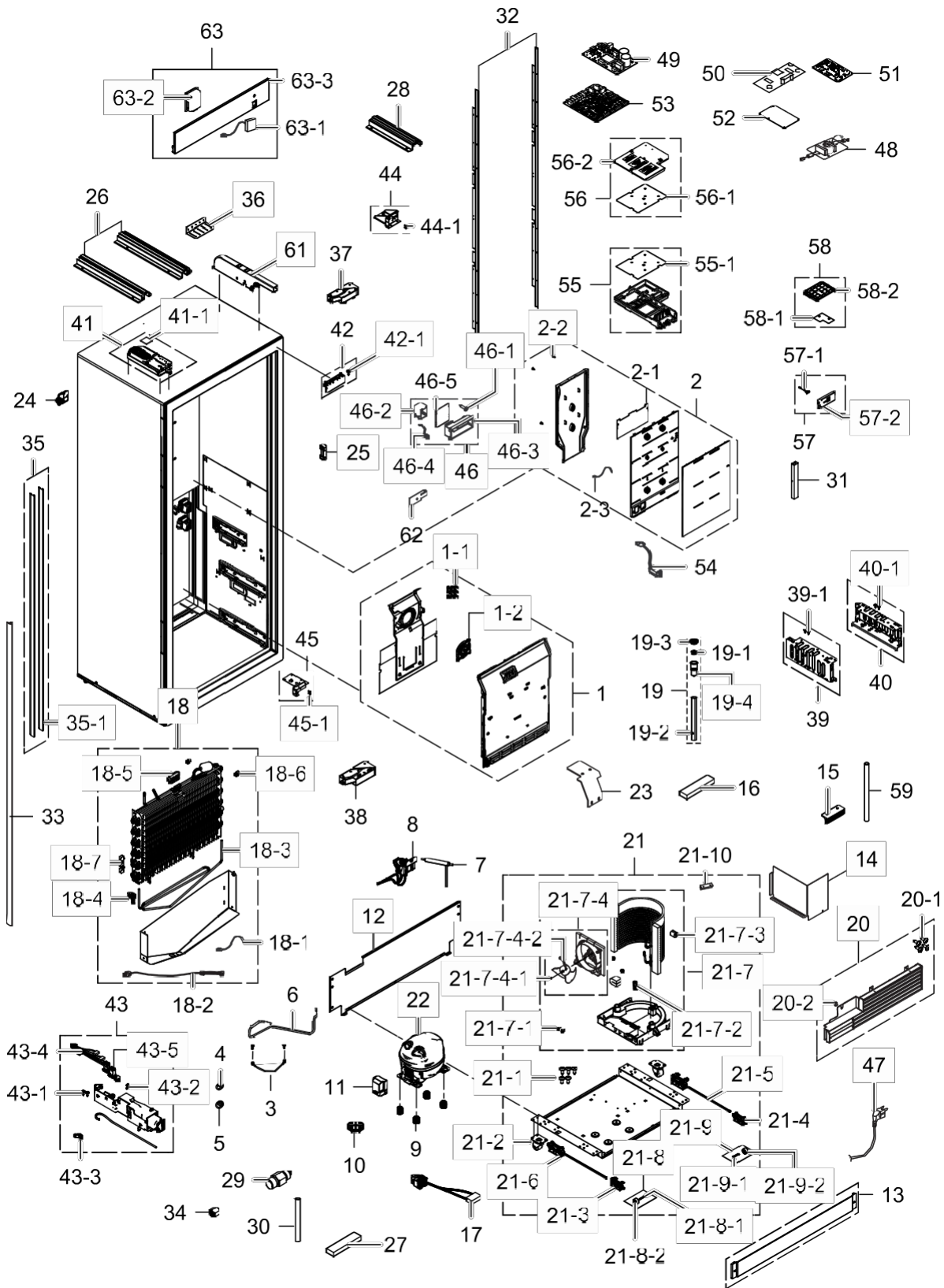
| No. | Dacor Part # | Description | SNA |
|------|--------------|--|-----|
| 1 | 111040 | COVER HOUSING; BRR9000M,ABS,T2.5,INOX GRA | SA |
| 2 | 111671 | ASSY SHELF TRIM; BRR9000 24",Freezer | SA |
| 2-1 | 110649 | SCREW-TAPPING; TH,+,NO,1,M4,L8,ZPC(WHT),S | SA |
| 3 | 111659 | ASSY RAIL-UP; BRR24 | SA |
| 4 | 111660 | ASSY RAIL-LOW; BRR24 | SA |
| 5 | 111588 | ASSY CASE BASKET-UP; BRR9000M_24F | SA |
| 5-1 | 110655 | SCREW-TAPPING; TH,+,NO,1,M4,L14,PASS,STS3 | SA |
| 6 | 111592 | ASSY CASE BASKET-MIDDLE; BRR9000M_24F | SA |
| 6-1 | 110655 | SCREW-TAPPING; TH,+,NO,1,M4,L14,PASS,STS3 | SA |
| 7 | 111596 | ASSY CASE BASKET-LOW; BRR9000M_24F | SA |
| 7-1 | 110655 | SCREW-TAPPING; TH,+,NO,1,M4,L14,PASS,STS3 | SA |
| 8 | 111629 | ASSY FIXER; BRR9000M 30" | SA |
| 9 | 111541 | ASSY SHELF-REF; BRR9000 24" | SA |
| 10 | 111545 | ASSY SHELF COVER VEG; BRR9000 24" | SA |
| 10-1 | 111140 | SHELF-A; BRR9000M_30R,PP,CAP FRONT LEFT | SA |
| 10-2 | 111141 | SHELF-A; BRR9000M_30R,PP,CAP FRONT RIGHT | SA |
| 10-3 | 111142 | SHELF-A; BRR9000M_30R,PP,CAP REAR LEFT | SA |
| 10-4 | 111143 | SHELF-A; BRR9000M_30R,PP,CAP REAR RIGHT | SA |
| 11 | 111550 | ASSYSHELF-REFLOW; BRR900024",DISPLAY | SA |
| 11-1 | 111059 | GROMMET; BRR9000M,RUBBER | SA |
| 11-2 | 111060 | GROMMET; BRR9000,RUBBER,DACOR | SA |
| 11-4 | 111026 | COVER DISPLAY; BRR9000M_30R,HIPS,INOX GRA | SA |
| 11-5 | 111049 | COVER LAMP; BRR9000M,HIPS,INOX GRAY,30R | SA |
| 11-6 | 111222 | ASSY WIRE HARNESS-DISPENSER; ALL,FREE VOL | SA |
| 11-7 | 111232 | ASSY WIRE HARNESS-LED; ALL,12VDC,ALL,UL,A | SA |
| 11-8 | 111643 | ASSY PBA DISPLAY; BRR9000,ASSY DISPLAY, C | SA |
| 11-9 | 111645 | ASSY PBA DISPLAY; BRR9000,ASSY DISPLAY, C | SA |

Freezer Parts List

| No. | Dacor Part # | Description | SNA |
|--------|--------------|--|-----|
| 11-10 | 110647 | SCREW-TAPPING; TH,+,1,M4,L12,ZPC(WHT),SWR | SA |
| 11-11 | 111559 | ASSY SHELF-REF SUB; BRR9000 24" | SA |
| 12 | | ASSY CASE ICE-ROOM; BRR9000M,24F | SNA |
| 12-1 | 110853 | CASE ICE ROOM-IN; BRR9000M,HIPS,INOX GRAY | SA |
| 12-2 | 110852 | CASE ICE ROOM-A; BRR9000M,HIPS,INOX GRAY, | SA |
| 12-3 | 110875 | REINF COVER; BRR9000M_24R,PO-SPHC,T2.0,CO | SA |
| 12-4 | 111398 | ASSY COVER ICE MAKER; BRR9000M,24F | SA |
| 12-5 | 111472 | ASSY ICE MAKER; BRR9000,BI-311, 120V, 8CU | SA |
| 12-5-1 | 111237 | ASSY WIRE HARNESS-ICE; ALL,FREE VOLT,UL+I | SA |
| 12-6 | 111473 | ASSY ICE MAKER; BRR9000,BI-312, 120V, 4CU | SA |
| 12-6-1 | 111238 | ASSY WIRE HARNESS-ICE; ALL,FREE VOLT,UL+I | SA |
| 13 | 111509 | ASSY CASE ICE; BRR9000M,24F,CUBE | SA |
| 13-1 | 110871 | CASE ICE-CUBE; BRR9000M,PETG,NATURAL,24F, | SA |
| 14 | 111565 | ASSY PIPE WATER ICE; BRF8000M | SA |
| 15 | 111566 | ASSY PIPE WATER ICE; BRF8000M | SA |
| 16 | 111061 | COVER LAMP-SIDE; BRR9000M,HIPS,T2.0,WHITE | SA |
| 17 | 111069 | COVER LAMP-SIDE; BRR9000M,HIPS,T2.0,INNER | SA |
| 18 | 111262 | ASSY LAMP LED; 30,FR-4,520*16,WHITE,DEM1- | SA |
| 19 | 111268 | ASSY LAMP LED; 18,CEM-1,592*16,WHITE,SMAW | SA |
| 20 | 111269 | ASSY LAMP LED; 18,CEM-1,592*16,WHITE,SMAW | SA |
| 21 | | ANGLE SHELF-REF SIDE RIGHT; GI-SGCC,T3.0, | SNA |
| 22 | 111068 | COVER LAMP-SIDE; BRR9000M,HIPS,T2.0,INNER | SA |
| 23 | 110923 | SEAL CUTT-RUBBER; RR2500K,RUBBER,BLACK,T5 | SA |
| 24 | 111235 | ASSY WIRE HARNESS-LED; ALL,12VDC,UL+IEC,N | SA |
| 25 | 110985 | COVER-FIXER HOUSING,V;NEXT,GALVALUM,T0.3 | SA |

2. Cabinet

Exploded View



Cabinet Parts List

| No. | Dacor Part # | Description | SNA |
|------|--------------|--|-----|
| 1 | 111480 | ASSY COVER EVAP-FRE; BRR9000M,COLUMN, 24" | SA |
| 1-1 | 110655 | SCREW-TAPPING; TH,+,NO,1,M4,L14,PASS,STS3 | SA |
| 1-2 | 110693 | MOTOR BLDC FAN; 12035GE-12M-YT,1775 7%,1 | SA |
| 2 | 111486 | ASSY COVER MULTI-FRE; BRR9000M,COLUMN, 24 | SA |
| 2-1 | 111163 | SEAL COVER MULTI-FRE FRONT; BRR9000M,PE F | SA |
| 2-2 | 110654 | SCREW-TAPPING; TH,+,-,1,M4,L12,PASS,STS30 | SA |
| 2-3 | 110706 | SENSOR TEMP; SC41198-021A,1000mm,13.2kohm | SA |
| 3 | 110722 | ASSY WIRE HARNESS-EARTH; ALL,FREE VOLT,UL | SA |
| 4 | 110746 | FITTING-LOKRING 33; SUM23,33 | SA |
| 5 | 110747 | FITTING LOKRING; SUM23,St 56 | SA |
| 6 | 110945 | PIPE CONNECT-SUCTION; BRR9000M(24inch),C1 | SA |
| 7 | 110940 | DRYER; C1220T-H,114,SINGLE MOUTH,R-600a O | SA |
| 8 | 110943 | VALVE STEP; DC12V,MODULE,RIGHT/RIGHT bend | SA |
| 9 | 110979 | GROMMET COMP; USP05,EPDM,OD27.0,BLACK | SA |
| 10 | 110990 | COVER-URETHANE; AW-PJT,ABS,BLACK,5VA | SA |
| 11 | 111001 | COVER RELAY; MSV,MPPO,T2.0,BLACK,V-0 | SA |
| 12 | 111036 | COVER COMP-REAR; BRR9000M(24inch),GI-SGCC | SA |
| 13 | 111654 | ASSY COVER COMP-LOW; BRR9000M,24" | SA |
| 14 | 111680 | ASSY PARTITION; BRR9000M,24" Column | SA |
| 15 | 111149 | PARTITION-UP; BRR9000M,HIPS,T1.2 | SA |
| 16 | 111162 | SEAL CUTT-RUBBER; W2-05,BUTYL RUBBER,BLAC | SA |
| 17 | 111246 | ASSY WIRE HARNESS-COMP; ALL,FREE VOLT,UL+ | SA |
| 18 | 111254 | ASSY EVAP-FRE; BRR9000M(24inch),FIN TUBE, | SA |
| 18-1 | 110705 | SENSOR TEMP; SC41199-021A, PVC TUBE 250mm | SA |
| 18-2 | 110736 | THERMO FUSE-ASSY; AC250V,10A,109~110S | SA |
| 18-3 | 110739 | HEATER METAL SHEATH; AC120V,BRR9000M 24IN | SA |

Cabinet Parts List

| No. | Dacor Part # | Description | SNA |
|--------|--------------|--|-----|
| 18-4 | 110823 | FIXER-SHEATH HEATER; POLARIS-PJT,AL,T0.8 | SA |
| 18-5 | 110795 | FIXER-SENSE; AW-PJT,PP,NATURAL,V-0 | SA |
| 18-6 | 110818 | FIXER WIRE; AW3-PJT,PP,T2.0,NATURAL,HB,BJ | SA |
| 18-7 | 110822 | FIXER-HEATER WIRE REF; HM/GGH/HAEMIL,PP,N | SA |
| 19 | 111338 | ASSY CAP-DRAIN; AW3 | SA |
| 19-1 | 110811 | FIXER-DRAIN; HAEMIL,PP,T0.6,CARMEN WINE,B | SA |
| 19-2 | 110928 | TUBE PVC; AW3,SF-PVC,BLACK | SA |
| 19-3 | 110982 | GROMMET-DRAIN; RS18RK,NBR,-,-,-,-,BLK,- | SA |
| 19-4 | 111128 | CAP-DRAIN; AW4,HIPS,HB,S834S1,NATURAL | SA |
| 20 | 111464 | ASSY CHASSIS AIR GRILLE; BRR9000M,24" RIG | SA |
| 20-1 | 110649 | SCREW-TAPPING; TH,+,NO,1,M4,L8,ZPC(WHT),S | SA |
| 20-2 | 111121 | LATCH; LATOUR,POM,BLACK,DC LATCH | SA |
| 21 | 111526 | ASSY CHASSIS COMP; BRR9000M(24inch) | SA |
| 21-1 | 110647 | SCREW-TAPPING; TH,+,1,M4,L12,ZPC(WHT),SWR | SA |
| 21-2 | 110910 | CASTER; BRR9000M,MSWR,OD40, BLACK | SA |
| 21-3 | 111390 | ASSY LEG-FRONT; BRR9000M | SA |
| 21-4 | 111391 | ASSY LEG-FRONT; BRR9000M,RIGHT | SA |
| 21-5 | 111392 | ASSY LEG-REAR; BRR9000M | SA |
| 21-6 | 111393 | ASSY LEG-REAR; BRR9000M,RIGHT | SA |
| 21-7 | 111525 | ASSY TRAY DRAIN WATER; BRR9000M(24inch) | SA |
| 21-7-1 | 110647 | SCREW-TAPPING; TH,+,1,M4,L12,ZPC(WHT),SWR | SA |
| 21-7-2 | 111006 | GROMMET-IMMERSION PIPE B; ROMANEE CONTI,N | SA |
| 21-7-3 | 111074 | GROMMET-SUCT PIPE A; NBR,-,ID4,OD20 | SC |
| 21-7-4 | 111408 | ASSY SUPPORT-CIRCUIT MOTOR; BRR9000M(18") | SA |
| 21-7-4 | 110913 | SPRING ETC-FAN; STS304,PI8.8,ID7.8,OD9.8, | SA |
| 21-7-4 | 110695 | MOTOR BLDC FAN; ARCS2088RB,1230,12V,1.15W | SA |
| 21-8 | 111533 | ASSY CASTER; BRR9000M,GI-SGCC,T3.0,LEFT | SA |
| 21-8-1 | 110757 | PIN-CASTER; SR-289-429,MSWR10,OD6.0,L38,Z | SA |
| 21-8-2 | 110821 | CASTER-REAR; GRAND-CRU,PP,NATURAL | SA |
| 21-9 | 111534 | ASSY CASTER-FRONT; BRR9000M,GI-SGCC,T3.0, | SA |

Cabinet Parts List

| No. | Dacor Part # | Description | SNA |
|--------------|--------------|--|-----|
| 21-9-1 | 110757 | PIN-CASTER; SR-289-429,MSWR10,OD6.0,L38,Z | SA |
| 21-9-2 | 110821 | CASTER-REAR; GRAND-CRU,PP,NATURAL | SA |
| 21-10 | 111149 | PARTITION-UP; BRR9000M,HIPS,T1.2 | SA |
| 22 | 111691 | CMP,COMP,REFRIGERATOR,R-600A; (Must order with Ref #9 QTY4) | SA |
| Not Shown | 112872 | Vulkan lok ring fittings (includes drier) | SA |
| 23 | 110909 | BRACKET-LOCK; GI-SGCC,T2 | SA |
| 24 | 111639 | ASSY COVER FIXER WATER; BRR9000M,24,30,36 | SA |
| 25 | 110886 | FIXER PIPE; BRR9000M,EPDM,BLACK | SA |
| 26 | 110892 | RAIL; BRR9000M,ABS,EBONY BLACK | SA |
| 27 | 111162 | SEAL CUTT-RUBBER; W2-05,BUTYL RUBBER,BLAC | SA |
| 28 | 110895 | RAIL-LEFT; BRR9000M,ABS,EBONY BLACK,HG-07 | SA |
| 29 | 110918 | VALVE-FITTING PU; BEST-BUY,(C3604BD-F)+BN | SA |
| 30 | 110946 | PIPE WATER-LINE OUT; BRF8000M,PVC,WHITE | SA |
| 31 | 111058 | COVER WIRE; BRR9000,ABS,HB,COOL WHITE,HG- | SA |
| 32 | 111091 | CHASSIS CABI; BRR9000M,GI-SGCC,T0.8,-,- | SA |
| 33 | 111666 | ASSY TRIM KIT; BRR9000M,24"Column | SA |
| 34 | 111170 | VALVE-FITTING NUT; A-TOP,CU,12,C3604 BD-F | SA |
| 35 | 111656 | ASSY TRIM KIT; BRR9000M | SA |
| 35-1 | 111093 | TRIM COVER; BRR9000M,AI,BI-327 | SA |
| 36 | 110903 | SUPPORT-REF; BRR9000M,GI-SGCC,T3,Anti Tip | SA |
| 37 | 111379 | ASSY HINGE-UP; BUILT-IN,K05-X | SA |
| 38 | 111380 | ASSY HINGE-LOW; BUILT-IN,K05-X | SA |
| 39 | 111383 | ASSY CABI FRAME-SIDE LEFT; BRR9000M,GI-SG | SA |
| 39-1 | 110647 | SCREW-TAPPING; TH,+,1,M4,L12,ZPC(WHT),SWR | SA |
| 40 | 111387 | ASSY CABI FRAME-SIDE RIGHT; BRR9000M,GI-S | SA |
| 40-1 | 110647 | SCREW-TAPPING; TH,+,1,M4,L12,ZPC(WHT),SWR | SA |
| 41 | 111420 | ASSY EASY OPEN; 12V | SA |
| 41-1 | 110633 | IC-MICROCONTROLLER; R5F100FCAFP,LQFP,44P, | SA |
| 42 | 111427 | ASSY COVER HINGE-FRE; BRR9000M,ABS,COLUMN | SA |

Cabinet Parts List

| No. | Dacor Part # | Description | SNA |
|------|--------------|--|-----|
| 42-1 | 110671 | SCREW-TAPPING; PWH,+,PW,1,M4,L16,ZPC(WHT) | SA |
| 43 | 111394 | ASSY CASE WATER FILTER; BRR9000M | SA |
| 43-1 | 110647 | SCREW-TAPPING; TH,+,1,M4,L12,ZPC(WHT),SWR | SA |
| 43-2 | 110806 | CLIP-FITTING LOCK; AW,POM | SA |
| 43-3 | 110752 | FITTING TUBE; AW4-4D,POM,Fitting Tube Y, | SA |
| 43-4 | 110938 | VALVE WATER; AC110-127V,350,1WAY,L-Wire,1 | SA |
| 43-5 | 110934 | VALVE WATER; AC110-127V,230,1WAY,L-Wire,1 | SC |
| 44 | 111457 | ASSY REINF-UP RIGHT; BRR9000M,ZPC3 | SA |
| 44-1 | 110678 | BOLT-ETC; M6,L20,ZPC(WHT),SWRCH18A,FH | SA |
| 45 | 111459 | ASSY REINF-LOW RIGHT; BRR9000M,ZPC3 | SA |
| 45-1 | 110647 | SCREW-TAPPING; TH,+,1,M4,L12,ZPC(WHT),SWR | SA |
| 46 | 111681 | ASSY COVER HINGE-UP RIGHT; BRR9000M,Colum | SA |
| 46-1 | 110660 | SCREW-TAPPING; FH,+,1,M4,L18,ZPC(WHT),SWR | SA |
| 46-2 | 111041 | COVER HINGE-UP RIGHT; BRR9000M,PC,5V-B,EB | SA |
| 46-3 | | COVER HINGE-RIGHT; BRR9000M,ABS,HB,INOX G | SNA |
| 46-4 | 111275 | ASSY WIRE HARNESS-ETC; 1-DOOR,FREE VOLT,U | SA |
| 46-5 | 111042 | COVER FRONT; BRR9000M,ABS,HB,INOX GRAY,AB | SA |
| 47 | 110639 | CBF-POWER CORD; AT,USA,US3F-1,3C,125V,15A | SA |
| 48 | 110683 | COIL FILTER; 22mH,82*60,AC 8A,0.47uF / 0. | SA |
| 49 | 111197 | ASSY PCB INVERTER; INVERTER,LC3_3050_V2,1 | SA |
| 50 | 111198 | ASSY MODULE; STD#9 SMPS,RF9500(Family Hub | SA |
| 51 | 111199 | ASSY MODULE; BUZZER PBA,RB6000K | SA |
| 52 | 111203 | ASSY MODULE; PBA-FUSE BLOCK,RF8000MC,30*5 | SA |
| 53 | 111214 | ASSY PCB EEPROM; 0X38,D601,D602,D603,D605 | SA |
| 54 | 111259 | ASSY WIRE HARNESS-ETC; 1-DOOR,FREE VOLT,U | SA |
| 55 | 111612 | ASSY CASE PBA; BRR9000M,COLUMN30"REF,SUB | SA |
| 55-1 | 110904 | PLATE COVER; Al,T0.15,FDR | SA |

Cabinet Parts List

| No. | Dacor Part # | Description | SNA |
|------|--------------|--|-----|
| 56 | 111616 | ASSY COVER PBA; BRR9000M,COLUMN30"REF | SA |
| 56-1 | | PLATE COVER; BRR9000M,GI-SGCC,T0.5,Column | SNA |
| 56-2 | | COVER PBA; BRR9000M,PC,T2.5,5V-B,EBONY BL | SNA |
| 57 | 111620 | ASSY COVER-FRONT; BRR9000M,COLUMN30"REF | SA |
| 57-1 | 110716 | SWITCH REED; UL1007 AWG 22,100mm,DEM1-B50 | SA |
| 57-2 | | COVER FRONT; BRR9000M,PC,5V-B,EBONY BLACK | SNA |
| 58 | 111623 | ASSY COVER-FRONT UP; BRR9000M,COLUMN30"RE | SA |
| 58-1 | | PLATE COVER; BRR9000M,GI-SGCC,T0.5,FRONT, | SNA |
| 58-2 | | COVER FRONT-UP; BRR9000M,PC,5V-B,EBONY BL | SNA |
| 59 | 111169 | PIPE CONNECT-DISC; RF8000MC,Cu,OD6.35,T0. | SA |
| 61 | 110866 | GUIDE-UP; BRZ30980LPR,ABS,T2.5,HB,INOX GR | SA |
| 62 | 111152 | CAP HINGE-UP RIGHT; BRR9000M,ABS,T1.2,HG- | SA |
| 63 | 111502 | ASSY TOP TABLE-FRONT; BRR9000M,24-IN | SA |
| 63-1 | 110711 | SENSOR PHOTO; -20~705V,illumination | SA |
| 63-2 | 111033 | COVER TOP TABLE; BRR9000M,ABS,HB,INOX GRA | SA |
| 63-3 | | TOP TABLE-FRONT; BRR9000M,ABS,INOX GRAY,H | SNA |

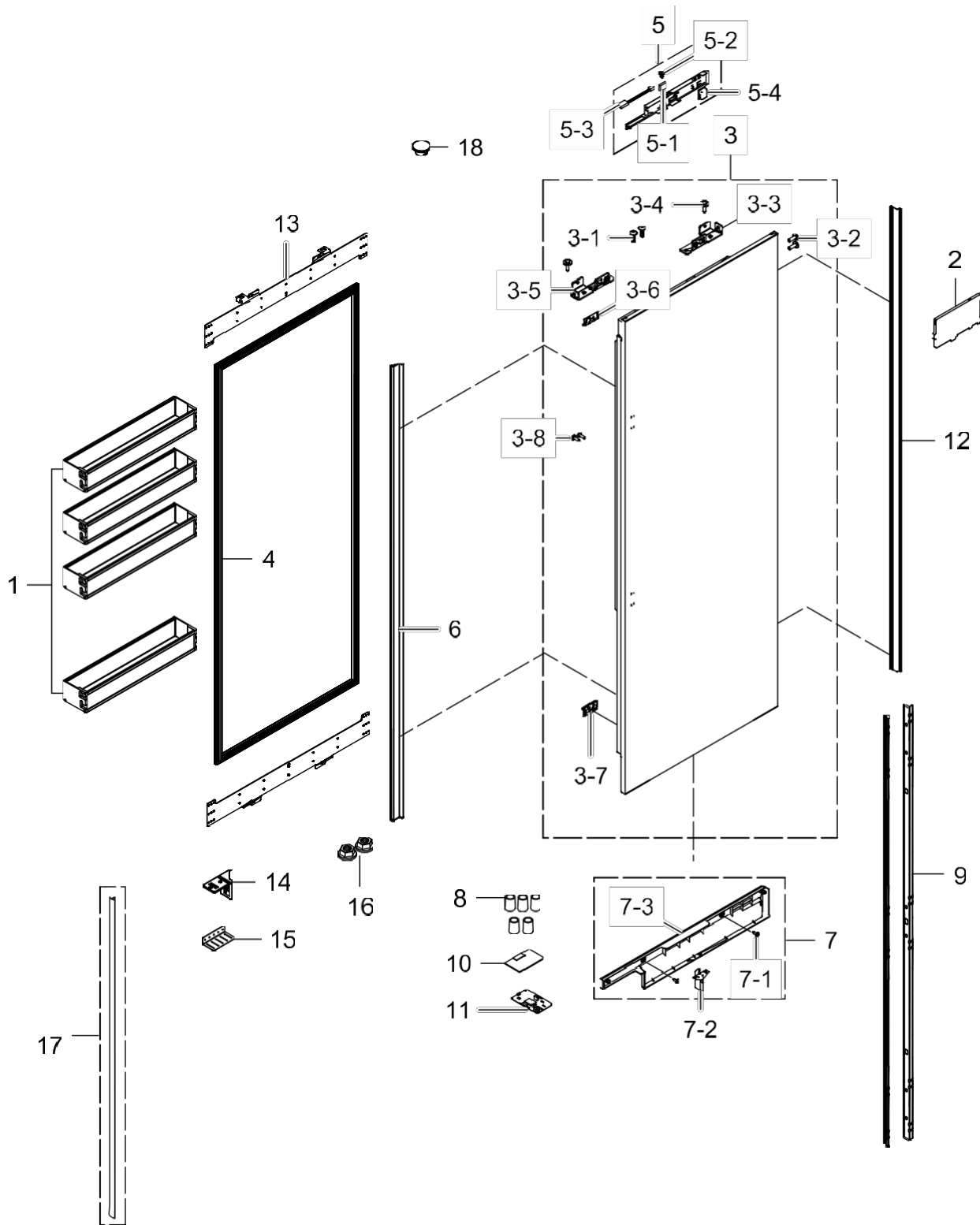
Door Panels, Handles, and Toe Kick

| Type | SVC Part | Dacor P/N | Finish |
|---------------|--------------------------|-------------|-----------|
| 24" Column | Custom Panel-Right Hinge | 114169 | Graphite |
| | Modern Handle | 114133 | Graphite |
| | Toe Kick Plate | 114164 | Graphite |
| | Custom Panel-Right Hinge | 114172 | Stainless |
| | Modern Handle | 114140 | Stainless |
| | Pro Handle | 114141 | Stainless |
| | Toe Kick Plate | 114167 | Stainless |
| | Pair Installation Kit | RAC00CPAAAA | Stainless |

***Note: Only one "Pair installation kit" is needed to install two columns together.

3. Door

Exploded View



Door Parts List

| No. | Dacor Part # | Description | SNA |
|-----|--------------|--|-----|
| 1 | | ASSY GUARD-REF; BRR9000M,24" | SNA |
| 2 | 111071 | COVER PBA; BRR9000M,ABS,INOX GRAY,WIFI MO | SA |
| 3 | 111191 | ASSY DOOR FOAM-FRE; BRR9000M,24",RIGHT-HI | SA |
| 3-1 | 110658 | SCREW-TAPPING; TH,+,-,2,M5,L16,ZPC(WHT),S | SA |
| 3-2 | 110666 | SCREW-TAPPING; TH,+,-,2S,M4,L12,ZPC(WHT), | SA |
| 3-3 | 110845 | BRACKET-UP; BRR9000M,PO-SPHC,T2.3,RIGHT | SA |
| 3-4 | 110847 | FIXER-UP FRONT; BRR9000M,SWRCH10A,M6 | SA |
| 3-5 | 110848 | BRACKET-UP; BRR9000M,PO-SPHC,T2.3,LEFT | SA |
| 3-6 | 110868 | BRACKET HINGE-REF UP; BRR9000M,PO-SPHC,T2 | SA |
| 3-7 | 110870 | BRACKET HINGE-REF LOW; BRR9000M,PO-SPHC,T | SA |
| 3-8 | 110648 | SCREW-TAPPING; TH,+,-,1,M4,L16,ZPC(WHT), | SA |
| 4 | 111414 | ASSY GASKET; BRR9000M,24COLUMN, DARK GRAY | SA |
| 5 | 111453 | ASSY CAP DOOR-UP RIGHT; BRR9000M,ABS,24" | SA |
| 5-1 | 110798 | MAGNET; SVETA,FERRITE,1600Gauss | SA |
| 5-2 | 111133 | CAP-SHAFT HOLE; AW3,ABS,HG-0760GP,COOL WH | SA |
| 5-3 | 110710 | SENSOR HUMIDITY; 5V,0~100%RH,REF,250mm | SA |
| 5-4 | 111033 | COVER TOP TABLE; BRR9000M,ABS,HB,INOX GRA | SA |
| 6 | 111086 | TRIM DOOR-LEFT; BRR9000M,ABS,XM-0900,VF S | SA |
| 7 | 111636 | ASSY CAP DOOR-LOW RIGHT; BRR9000M,ABS,24" | SA |
| 7-1 | 110647 | SCREW-TAPPING; TH,+,-,1,M4,L12,ZPC(WHT),SWR | SA |
| 7-2 | 110862 | GUIDE AIR-A; BRR9000M,ABS,HB,INOX GRAY | SA |
| 7-3 | | CAP DOOR-LOW; BRR9000M,ABS,HB,HG-0760GP,I | SNA |
| 8 | 110906 | FIXER; BRR9000M,ABS,NATURAL,HG-0760GP | SA |
| 9 | 110846 | BRACKET-MIDDLE; BRR9000M,CR-SPCC,T1.2,COL | SA |
| 10 | 110640 | W-LAN MODULE; DWMSMQ96L01S,IEEE802.11,2.4 | SA |

Door Parts List

| No. | Dacor Part # | Description | SNA |
|-----|--------------|---|-----|
| 11 | 111205 | ASSY PCB SUB; Network,WiFi,LTE,WideCamera | SA |
| 12 | 111087 | TRIM DOOR-RIGHT; BRR9000M,ABS,XM-0900,VF | SA |
| 13 | 110901 | BRACKET-WOOD; BRR9000M,PO-SPHC,T2.3,COLUM | SA |
| 14 | 110889 | GUIDE PANEL; BRR9000M,HIPS,S834S1,COOL WH | SA |
| 15 | 110903 | SUPPORT-REF; BRR9000M,GI-SGCC,T3,Anti Tip | SA |
| 16 | 110680 | NUT-HEXAGON FLANGE; M8,SWRCH10A,FLANGE, M | SA |
| 17 | | TRIM; BRR9000M,ABS,HG-0760GP,INOX GRAY,24 | SNA |
| 18 | 111129 | CAP SCREW; BRR9000M,ABS,HB,HG- 0760GP,INOX | SA |